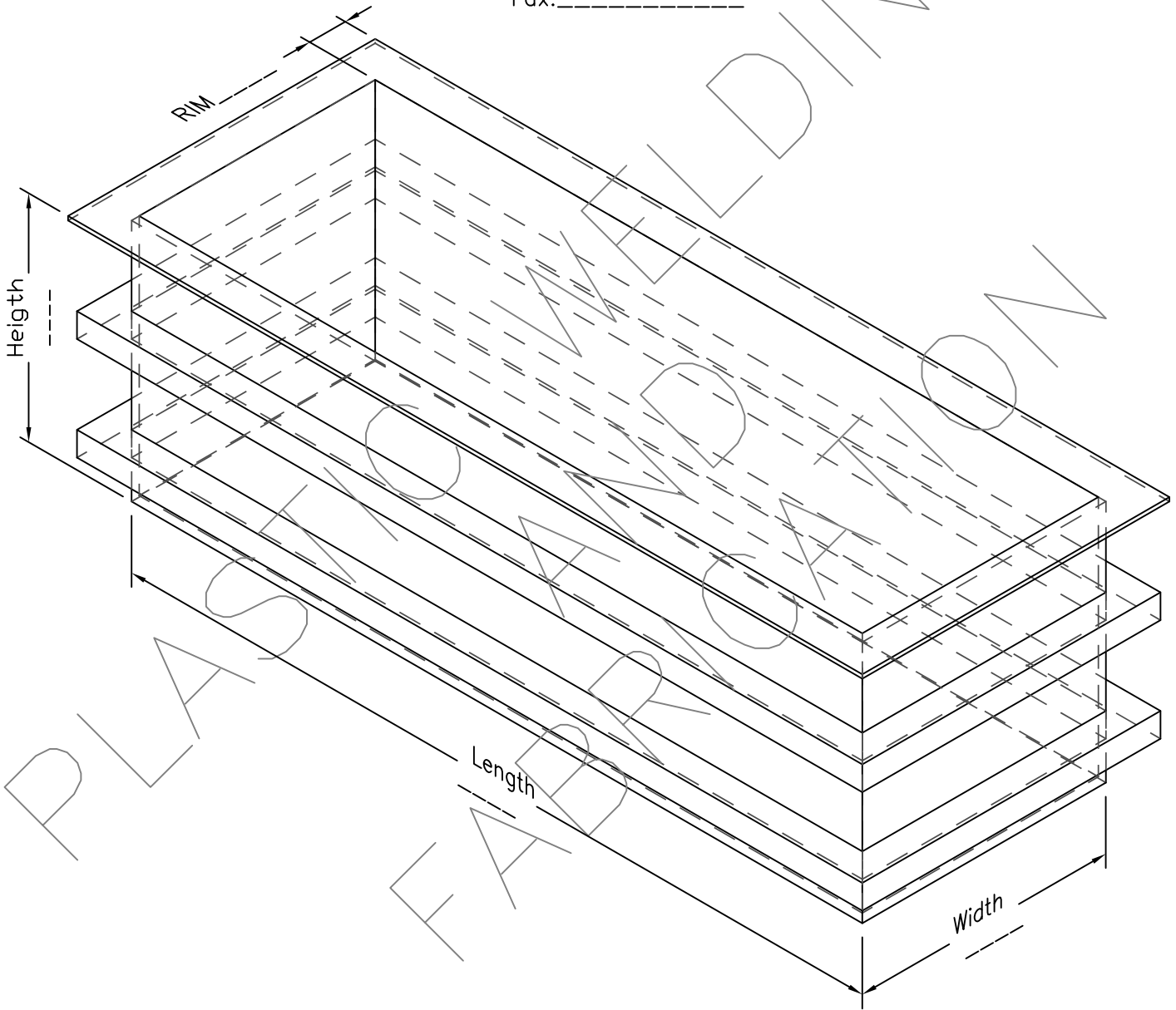


Company: _____

Contact: _____

Phone: _____

Fax: _____



FILL IN DIMENSIONS FOR QUOTATION AND FAX

512-295-7694