

## TANK LINER REQUEST FOR QUOTE SHEET

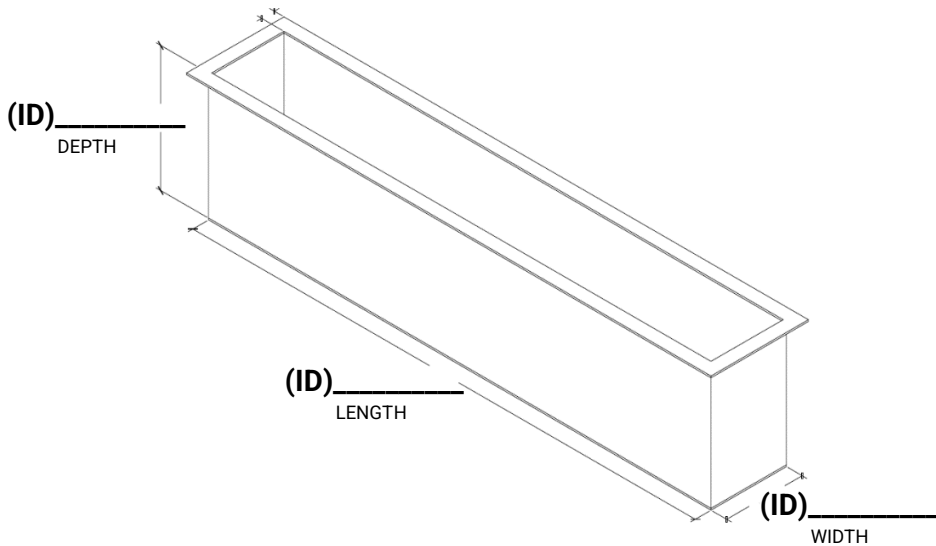
**COMPANY NAME:** \_\_\_\_\_ **TODAY'S DATE:** \_\_\_\_\_  
**ADDRESS:** \_\_\_\_\_ **INCLUDE SHIPPING QUOTE?**  YES  NO  
STREET ADDRESS CITY STATE ZIP CODE

**CONTACT:** \_\_\_\_\_ **EMAIL ADDRESS:** \_\_\_\_\_  
**OFFICE #** \_\_\_\_\_ **CELL #** \_\_\_\_\_ **FAX #** \_\_\_\_\_

**LINER APPLICATION:** \_\_\_\_\_ **STORAGE:**  INDOORS  OUTDOORS **TOP:**  OPEN-TOP  CLOSED-TOP  
**LINER CHEMISTRY:** \_\_\_\_\_ **PERCENTAGE:** \_\_\_\_\_ **OPERATING TEMPERATURE:** \_\_\_\_\_  AMBIENT

**REQUIRED FITTINGS:**  INLET FITTING  DRAIN FITTING  OVERFLOW FITTING  VENT  OTHER \_\_\_\_\_ *Please list fittings below.*

**LINER ACCESSORIES & ADD-ONS:** *Please check all that are required or that you are interested in receiving pricing options for.*  
 INTERNAL PIPING  LEVEL SENSORS  IMPACT PANEL  HEATER PROTECTIVE PANEL  REMOVABLE LID  OTHER \_\_\_\_\_  
 ELECTRICAL HEATER  RECTIFIER  CHILLER  TOP RIM RACK BLOCKS



**NOTES FOR THE DESIGN TEAM:**

\_\_\_\_\_

\_\_\_\_\_

\_\_\_\_\_

\_\_\_\_\_

\_\_\_\_\_

\_\_\_\_\_

\_\_\_\_\_

Please return this form to [marshall@plasticweldingandfabrication.com](mailto:marshall@plasticweldingandfabrication.com) when completed for a price quote.

**PLASTIC WELDING & FABRICATION, LTD.**  
**MAILING ADDRESS:** 384 STORY DRIVE, BUDA, TEXAS 78610 | **SHIPPING ADDRESS:** 2457 S. LOOP 4, BLDG. 4, BUDA, TEXAS 78610  
**OFFICE:** +1 (512) 295-6412 | **FAX:** +1 (512) 295-7694  
**ONLINE AT:** WWW.PLASTICWELDINGANDFABRICATION.COM