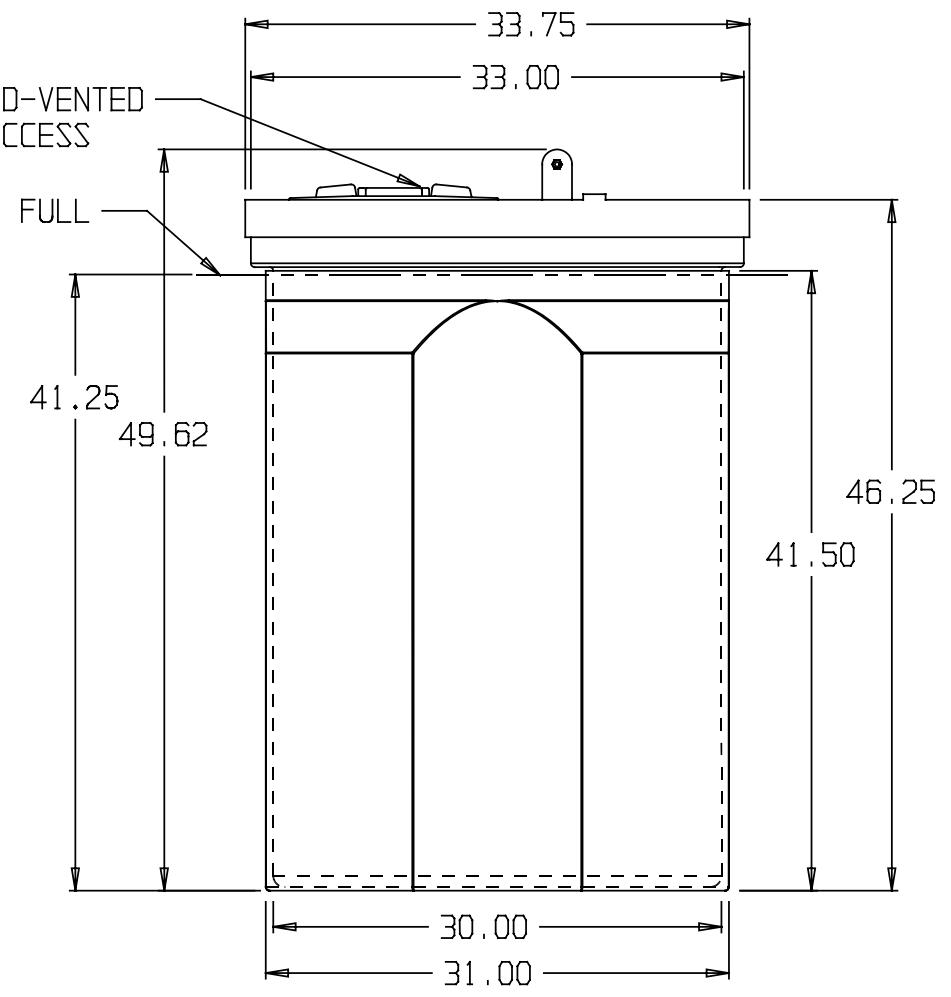


14" PE THREADED-VENTED
MANWAY W/12" ACCESS



(all dimensions in inches)

- * BASE FITTINGS TO BE LEFT INSTALLED AT TIME OF SHIPMENT PER SII PROCEDURE
- * Consult Snyder's Guidelines for Use and Installation prior to delivery.
Available on-line at www.snydernet.com

TANK	ASSEMBLY #:	5980000N97202L
	PRIMARY #:	5700000N97202L
		HDLPE/NAT/1.9 SPGR
	CONTAINMENT #:	5980000N97201L
		HDLPE/NAT/1.9 SPGR
REF#:	0000	01/23/04

120 GALLON CONTAINMENT SYSTEM