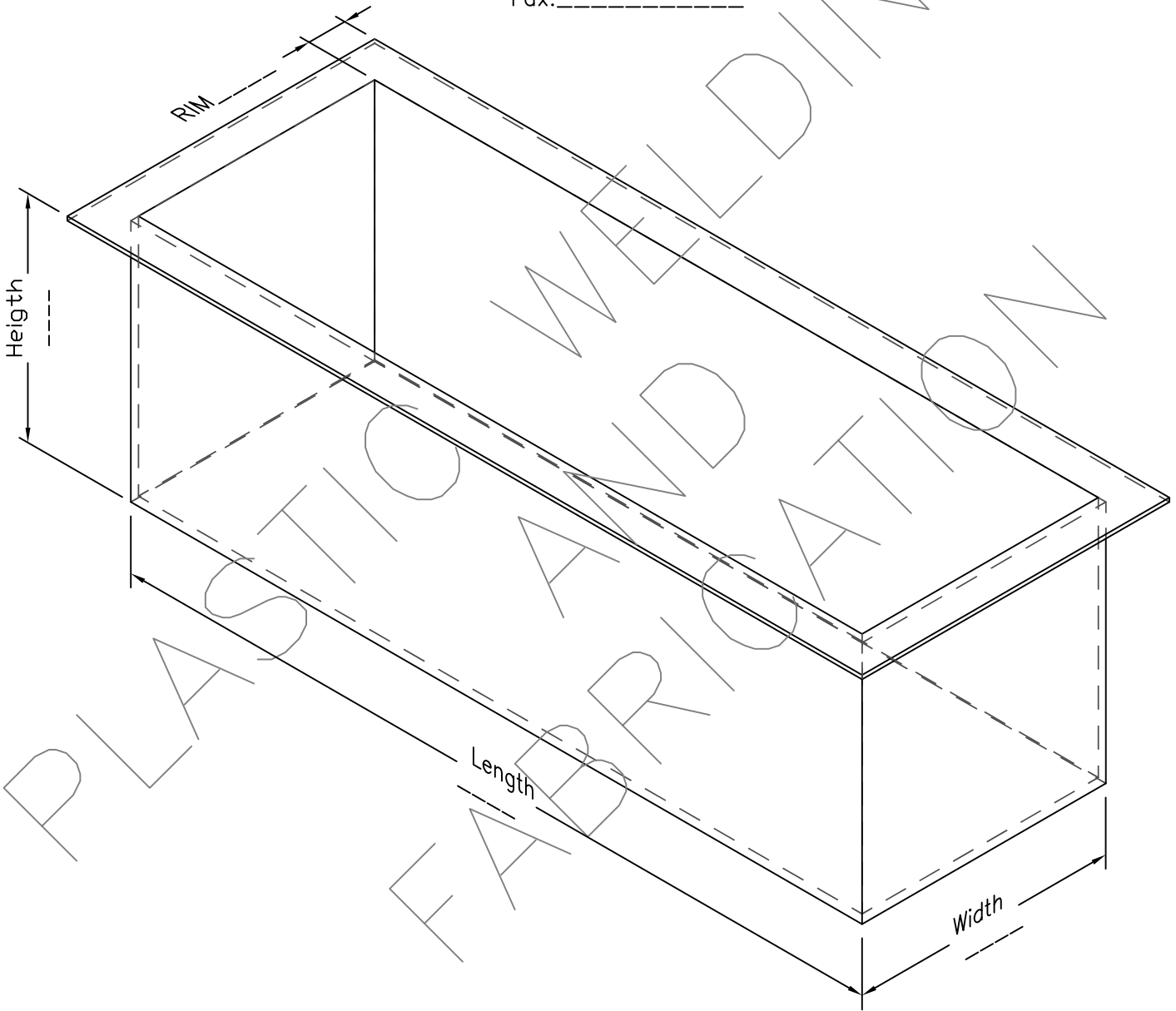


Company: _____

Contact: _____

Phone: _____

Fax: _____



FILL IN DIMENSIONS FOR QUOTATION AND FAX

512-295-7694

This document was created with Win2PDF available at <http://www.daneprairie.com>.
The unregistered version of Win2PDF is for evaluation or non-commercial use only.